

Northumbria Research Link

Citation: Chaudhary, Sushank, Tang, Xuan, Ghassemlooy, Zabih, Lin, Bangjiang, Wei, Xian and Liaw, Shien-Kuei (2019) A 3 × 25 Mbps WDM-Ro-VLC System for Amateur Radio Applications. In: The 2nd West Asian Colloquium on Optical Wireless Communications (WACOWC2019): 27-28 April, Shahid Beheshti University, Tehran, Iran. IEEE, Piscataway, NJ, pp. 6-10. ISBN 9781728137681, 9781728137674

Published by: IEEE

URL: <https://doi.org/10.1109/wacowc.2019.8770208>
<<https://doi.org/10.1109/wacowc.2019.8770208>>

This version was downloaded from Northumbria Research Link:
<http://nrl.northumbria.ac.uk/id/eprint/40185/>

Northumbria University has developed Northumbria Research Link (NRL) to enable users to access the University's research output. Copyright © and moral rights for items on NRL are retained by the individual author(s) and/or other copyright owners. Single copies of full items can be reproduced, displayed or performed, and given to third parties in any format or medium for personal research or study, educational, or not-for-profit purposes without prior permission or charge, provided the authors, title and full bibliographic details are given, as well as a hyperlink and/or URL to the original metadata page. The content must not be changed in any way. Full items must not be sold commercially in any format or medium without formal permission of the copyright holder. The full policy is available online: <http://nrl.northumbria.ac.uk/policies.html>

This document may differ from the final, published version of the research and has been made available online in accordance with publisher policies. To read and/or cite from the published version of the research, please visit the publisher's website (a subscription may be required.)

A 3×25 Mbps WDM-Ro-VLC system for amateur radio applications

Sushank Chaudhary
Quanzhou Institute of
Equipment Manufacturing,
Chinese Academy of Sciences
Jinjiang, China
sushankchaudhary@gmail.com

Xuan Tang
Quanzhou Institute of
Equipment Manufacturing,
Chinese Academy of Sciences
Jinjiang, China
xtang@fjirsm.ac.cn

Zabih Ghassemlooy
Optical Communications
Research group,
Northumbria University,
New Castle, United Kingdom
z.ghassemlooy@northumbria.ac.uk

Bangjiang Lin
Quanzhou Institute of Equipment
Manufacturing,
Chinese Academy of Sciences
Jinjiang, China
linbangjiang@fjirsm.ac.cn

Xian Wei
Quanzhou Institute of Equipment
Manufacturing,
Chinese Academy of Sciences
Jinjiang, China
xian.wei@fjirsm.ac.cn

Shien-Kuei Liaw
National Taiwan University of Science and
Technology,
Taipei, Taiwan
skliaw@mail.ntust.edu.tw

Abstract— Radio over visible light communications (Ro-VLC) can be a pioneering technology to provide ubiquitous radio services particularly in the radio network-permitted locations. In this work, three channels, each up-converted to a 50 MHz radio signal carrying 25 Mbps data, is transmitted over a 0.5 m visible light communications link by using the cost effective on-off key (OOK) modulation format. Three red, green and blue light emitting diodes are adopted for parallel transmission. We show simulation results, carried out using OptiSystem™ software, for the bit error rates for the proposed diffuse system for both non-return to zero and return to zero data formats.

Keywords— radio over visible light communication, wavelength division multiplexing, on-off Key

I. INTRODUCTION

The six-meter band (SMB) (i.e., 50-54 MHz) is mainly used for amateur radio applications. Allocated by the International Telecom Union (ITU), SMB is used in the Region 1 for broadcasting with the range of 50-52 MHz and in Regions 2 and 3 for new radio applications with 50-54 MHz. However, several Region 1 countries also use portions of SMB for new radio applications [1]. There are certain locations where usage of such applications is not permitted due to its interference with other portions of the electromagnetic spectrum such as aircrafts, hospitals, defense, etc. Therefore, in such environments one could adopt alternative wireless transmission systems, which is based on light communications not the radio frequency (RF).

Light emitting diodes (LEDs) and photodetector as well as image sensor based visible light communications (VLC) is seen as a promising wireless transmission technology for the next

generation network systems, which can be incorporated in any existing lighting fixtures including street and traffic lights, homes, offices, vehicles, etc. [2]. The VLC transmission system offer a number of interesting features including security at the physical layer, not effected by the RF electromagnetic interference, energy efficiency (since LEDs are much more power efficient than the existing lights), high-data rates, which makes them very attractive for a range of applications mostly in indoor environments (at the moment) [2-3]. One such applications is amateur radio, where the VLC technology can be effectively be utilized to provide services especially in areas where RF cannot be used because of interference and health reasons [3].

However, the most widely commercially available LEDs (i.e., white LEDs and red, green and blue (RGB)) used for lighting have a limited modulation bandwidth (i.e., < 50 MHz) due to their large size, which is not sufficient for high transmission data rates. The most recent micro-LEDs reported in the literature offer much higher modulation bandwidth in the range of hundreds of MHz to over 1 GHz, thus enabling multi-Gbps VLC transmission a possibility. However, these LEDs have a very low illumination levels, which currently are not suitable to be used as light sources [4-5]. Previous studies have addressed the issue of LED's modulation bandwidth limit and have proposed several techniques to overcome it with aim of achieving higher data transmission. The proposed scheme includes pre-and post-equalizations, micro LEDs, and advanced detection circuits and multi-level and multi-carrier modulations [1-2]. The latter includes single carrier frequency domain equalization, multi-band carrier-less amplitude and phase modulation, orthogonal frequency division multiplexing

(OFDM), and OFDM/offset quadrature amplitude modulation [6-9]. As for modulation schemes used in VLC systems, the multi-level and multi-carrier modulation formats offers increased data rates both implementation but at the cost of increased complexity and cost as well as have a limited peak to average power ration to ensure operation within the linear region of the LED light source. On the other hand, the simple and low-cost on-off keying (OOK) scheme is more than adequate for a range of applications. In 2016 [10], the authors demonstrated transmission of 266 kbps data over 2 m VLC link by employing OOK with on-chip 8-W 85% efficiency boost LED driver. In 2017 [11], a 600 Mbps VLC system with a GaN-based micro-LED and NRZ-OOK over a transmission range of 0.6 m with an active chip tracking system was reported. In 2018 [12], the authors transmitted 400 Mbps OOK VLC system over a link span of 1.5-3 m and investigated the performance of an analog front end (AFE) circuit with an optimal equalization design in order to increase the bandwidth of LED.

On the other hand, researchers have utilized various multiplexing technologies such as WDM and MIMO for data rate upsurge in VLC systems [13-15]. The data rate of WDM-VLC is reportedly higher than that of MIMO-VLC [16]. In 2015 [17], the authors reported the offline data rate of 8 Gbps using RGBY-WDM-VLC based high-order CAP modulation with BER value of 3×10^{-3} . In 2017 [18], 4.06 Gbps data is transmitted over link span of 1 m by deploying the WDM technique in VLC system.

In this work, we have also adopted OOK to realize a simple and a low-cost radio over VLC system. Furthermore, to increase the capacity of proposed Ro-VLC system, wavelength division multiplexing (WDM) is adopted using RGB LEDs and transmitted over a diffuse link with a span of 0.5 m. In this system 25 Mbps of data is up-converted to a carrier RF of 50 MHz prior to intensity modulation of RGB LEDs for application in amateur radio. Note, that the transmission range can be increased by increasing the optical power levels. We show the measure bit error rate results for non-return to zero (NRZ) and return to zero (RZ) OOK data formats. The remainder of paper is presented as follows: section II describes system modeling, section III presents the results and discussion followed by the section IV, which presents conclusion of this work

II. SYSTEM MODELING

Figure 1 shows the schematic diagram of the proposed 3×25 Mbps-50MHz WDM-Ro-VLC system, which is simulated using OptiSystemTM software platform. As shown in Fig. 1(a), for each channel, a 25 Mbps data in NRZ) and RZ formats is up-converted to a RF carrier of 50 MHz using a local oscillator to make it suitable for amateur radio applications. The modulated RF signal are then used for intensity modulation of RGB LEDs at the peak wavelengths of 650 nm, 530 nm and 450 nm, respectively. The lights signals are then multiplexed in the wavelength domain and transmitted over the wireless channel.

The optical mean power of LED is given by [19]:

$$P = \eta \cdot h \cdot f \cdot \frac{i(t)}{q} \quad (1)$$

where h is the plank constant, η is the quantum efficiency, f is the emission frequency, q is the electron charge and $i(t)$ is the modulation current signal.

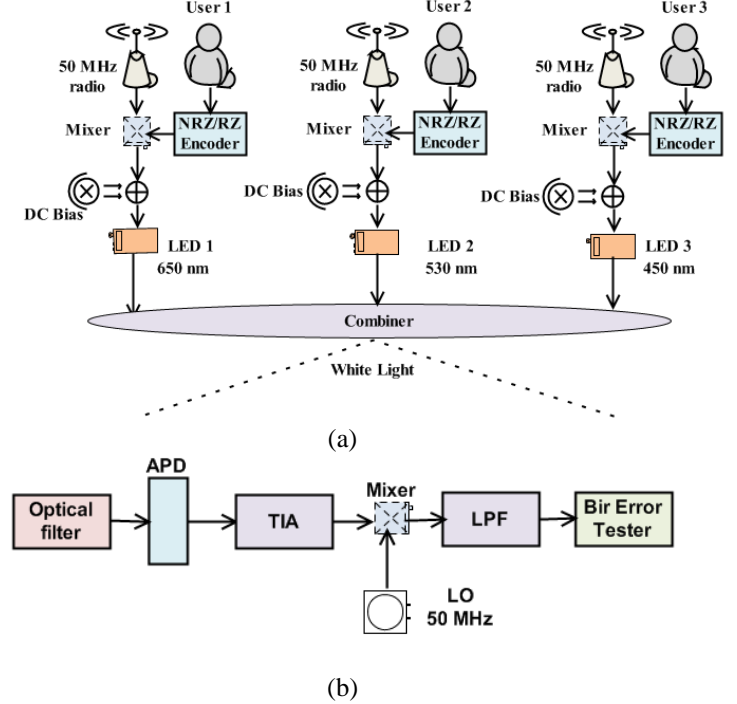


Fig. 1: 3×25 Mbps WDM-based Ro-VLC systems: (a) transmitter, and (b) receiver

Note that, the LED modulation bandwidth depends on electron lifespan and materials used in fabrication de of the device. Therefore, its transfer functions based on the current model is described as [19]:

$$H(f) = \frac{1}{1 + j \cdot 2\pi \cdot f \cdot (\tau_n + \tau_{RC})} \quad (2)$$

where τ_n is the electron life time and τ_{RC} is the RC time constant. As shown in Fig. 2, the LED output is assumed to be Lambertian, which illuminates the receiver plane. The irradiance at the photodetector is given by [20]:

$$E = \frac{L \cdot A_s}{h^2} \quad (3)$$

where A_s is the source area, and h is the distance from the source to detector. Note, L refers to the luminous flux within a unit radiating from the projected area of a surface element to a specific direction, which can be described mathematically as [20]:

$$L = \frac{d\Phi}{d\Omega \cdot dA_s \cdot \cos \vartheta_s} \quad (4)$$

where $d\Phi$ is the radiant power incident on an infinitesimal element of a surface to the projected area of that element, $d\Omega$ is the infinitesimal change in solid angle and dA_s is the infinitesimal element of area of source.

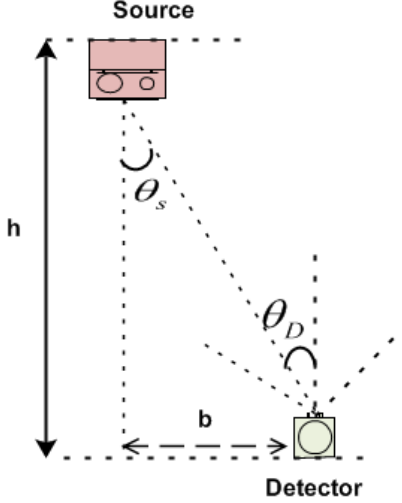


Fig. 2: A VLC link with a Lambertian source

The cosine-measured optical path loss can be described mathematically as [20]:

$$Loss = \frac{A_d \cdot CR}{\pi h^2} \cdot (\cos \theta_s)^2 \cdot (\cos \theta_D)^2 \quad (5)$$

where A_s is the surface area of source, CR is the optical concentration factor and θ is defined as [20]:

$$\theta = \theta_s = \theta_d = \tan^{-1} \left(\frac{b}{h} \right) \quad (6)$$

where b is the distance of detector in horizontal direction from the source as shown in Fig. 2.

At the receiving side, optical band-pass filters is used to capture the R, G and B lights prior to photodetection using a avalanche photodiodes (APD). The output of APD is applied to a transimpedance amplifier prior to RF demodulator, which is composed of a local oscillator, a mixer and a low pass filter, in order to retrieve the original data. Finally, a bit error rate tester is used to measure the bit error rate performance of the link. The

received signal in terms of the transmitted signal $x(t)$ and the channel response $h(t)$ is given by:

$$y(t) = x(t) \otimes h(t) + n(t) \quad (7)$$

where \otimes represent the convolution, and $n(t)$ the additive white Gaussian noise (AWGN), which is composed of the shot noise, dark current noise and thermal noise. We have assumed that the background light induced shot noise is negligible.

All the key system parameters adopted in simulation are outlined in Table 1.

TABLE I. SIMULATION PARAMETERS

| Item | Parameter | Value |
|-------------------|--------------------------------------|---|
| Simulation window | Bit rate | 25 Mbps |
| | Time window | 5.12e-006s |
| | Sample rate | 800e+006 Hz |
| | Sequence length | 128 bits |
| LED | Wavelength | 650nm (Red), 530 nm (Green) and 450 nm (Blue) |
| | Carrier lifetime | 5e-009 |
| | RC constant | 5e-009 |
| | Bandwidth | 5 MHz |
| | Output power | 20.3 dBm |
| | Slope efficiency | 0.5 W/A |
| | Quantum efficiency | 0.05 |
| Diffuse channel | Irradiance half angle | 0 deg |
| | Incidence half angle | 0 deg |
| | Detection surface area | 1 mm ² |
| | Optical concentration factor | 1 |
| APD photo diode | Width | 10 μm |
| | Responsivity | 1.2 A/W |
| | Gain | 3 |
| | Dark current | 10 nA |
| | Thermal noise power spectral density | 100e-024 W/Hz |
| | Ionization ratio | 0.9 |

III. SIMULATION RESULTS

Results obtained from the simulation and modeling of the proposed WDM-Ro-VLC system are presented and discussed in this section. Also shown in the inset are the eye diagrams. Fig. 3 shows the BER as a function of the transmission distance for both NRZ and RZ formats for the Channel 1 for LED at a wavelength of 650 nm. It shows that NRZ display improved BER performance compared to RZ. E.g., at the distance of 0.5 m the BER values are 1.9×10^{-4} and 1.4×10^{-3} for NRZ and RZ data formats, respectively.

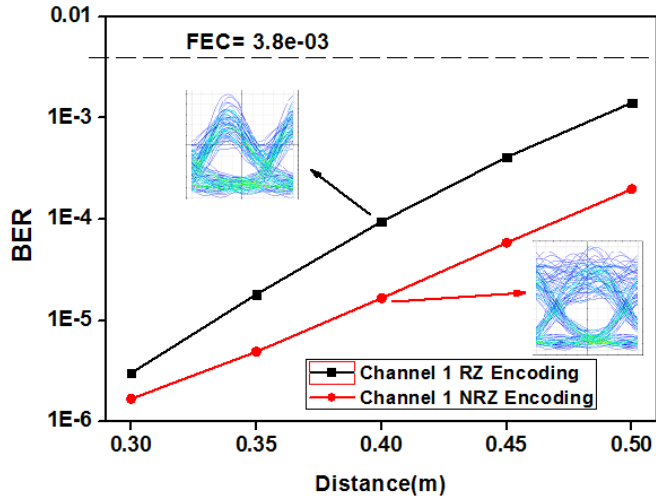


Fig. 3: BER against the transmission distance for the Channel 1 and for NRZ and RZ

However, both values are lower than the forward error correction (FEC) limit of 3.8×10^{-3} .

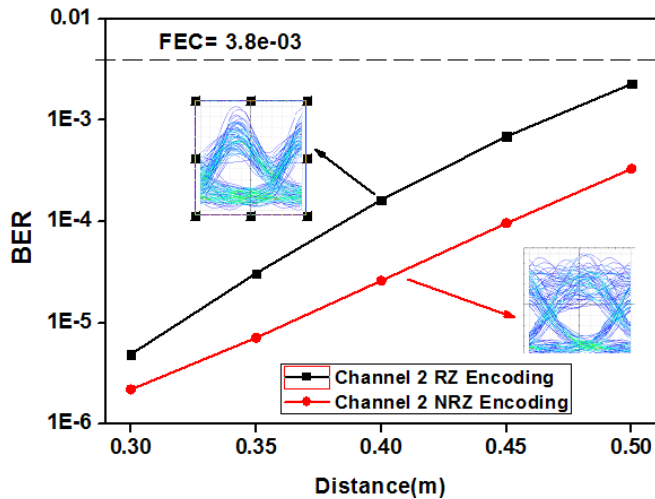


Fig.4: BER against the transmission distance for the Channel 2 and for NRZ and RZ

Figs. 4 and 5 shows the measured BER for the Channels 2 and 3 using LEDs with wavelengths of 530 nm and 450 nm. At the transmission distance of 0.50 m, the values of BER are (i) 3.3×10^{-4} and 2.2×10^{-3} , for NRZ and RZ, respectively for the Channel 2; and (ii) 5.7×10^{-4} and 3.7×10^{-3} , respectively.

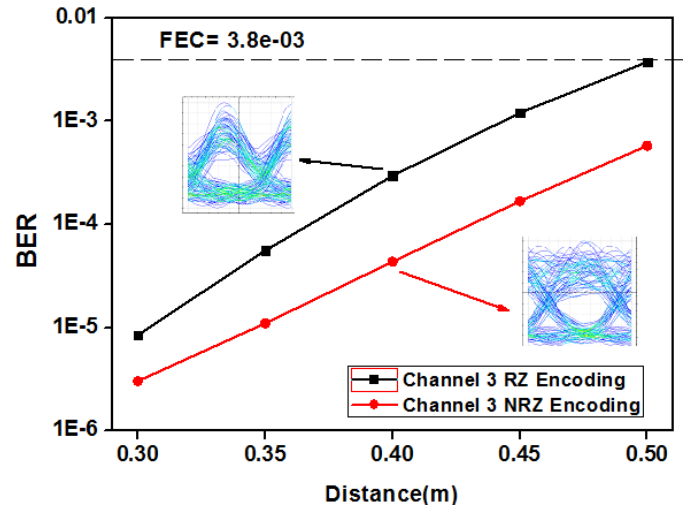


Fig.5: BER against the transmission distance for the Channel 3 and for NRZ and RZ

The clear opening of measured eyes diagrams also shows the successful transmission of data over the Ro-VLC link for both encoding formats.

IV. CONCLUSION

In this work, WDM-based Ro-VLC system was proposed for amateur radio applications, which used the six-meter radio bands. Three LED's with the wavelengths of 650 nm (red), 530 nm (green) and 450 nm (blue) were used for transmitting 25 Mbps of data per channel that were up-converted to 50 MHz radio signals. The simulation and modeling of the proposed system was carried out in OptiSystem software. The reported results showed successful transmission of three channels over 0.50 m diffused visible link with acceptable BER values below the FEC limit of 3.8×10^{-3} . This work can further be extended by means of real-time experiment implementation and evaluation.

REFERENCES

1. Amateur VHF Bands". life.itu.int - The International Amateur Radio Club - 4U1ITU. Retrieved 2014-07-06
2. A] Ghassemlooy, Z., Alves, L. N., Zvanovec, S., and Khalighi, M-A.: Visible Light Communications: Theory and Applications, CRC June 2017,
3. [B] Ghassemlooy, Z; Popoola, W. O; Tang, X; Zvanovec, S; Rajbhandar, S.: "Visible Light Communications – A Review," IEEE COMSOC MMTC Communications – Frontiers, 12 (3), pp. 6-13, May 2017.
4. C] A. Rashidi, M. Monavarian, A. Aragon, A. Rishinaramangalam and D. Feezell, "Nonpolar $\{m\}$ -Plane InGaN/GaN Micro-Scale Light-Emitting Diode With 1.5 GHz Modulation Bandwidth," in *IEEE Electron Device Letters*, vol. 39, no. 4, pp. 520-523, April 2018.
5. [D] R. X. G. Ferreira, E. Xie, J. J. McKendry, S. Rajbhandari, H. Chun, G. Faulkner, S. Watson, A. E. Kelly, E. Gu, and R. V. Penty, "High bandwidth GaN-based micro-LEDs for multi-Gb/s visible

- light communications," *IEEE Photon. Technol. Lett.*, vol. 28, no. 19, pp. 2023–2026, Oct. 1, 2016.
6. Lin, Bangjiang, et al. "Experimental demonstration of IFDMA for uplink visible light communication." *IEEE Photonics Technol. Lett.* 28.20 (2016): 2218-2220.
 7. P. A. Haigh, P. Chvojka, S. Zvánovec, Z. Ghassemlooy and I. Darwazeh, "Analysis of Nyquist Pulse Shapes for Carrierless Amplitude and Phase Modulation in Visible Light Communications," *Journal of Lightwave Technology*, vol. 36, no. 20, pp. 5023-5029, 15 Oct.15, 2018
 8. Hong, Yang, Tesi Wu, and Lian-Kuan Chen. "On the performance of adaptive MIMO-OFDM indoor visible light communications." *IEEE Photonics Technology Letters* 28.8 (2016): 907-910.
 9. Y. Wang et al., "Enhanced performance of visible light communication employing 512-QAM N-SC-FDE and DD-LMS," *Opt. Express* 22.13 (2014): 15328–15334.
 10. Che, Fengyu, et al. "A fully integrated IEEE 802.15. 7 visible light communication transmitter with on-chip 8-W 85% efficiency boost LED driver." *Journal of Lightwave Technology* 34.10 (2016): 2419-2430.
 11. Lu, Zhijian, et al. "Active tracking system for visible light communication using a GaN-based micro-LED and NRZ-OOK." *Optics express* 25.15 (2017): 17971-17981.
 12. Yeh, C. H., C. W. Chow, C. S. Gu, B. S. Guo, Y. J. Chang, J. H. Weng, and M. C. Wu. "400 Mbit/s OOK green-LED visible light communication with low illumination." *Optical and Quantum Electronics* 50, no. 12 (2018): 430.
 13. Andrew Burton, Hoa Le Minh, Zabih Ghassemlooy, Edward Bentley, and Carmen Botella, "Experimental Demonstration of 50-Mb/s Visible Light Communications Using 4×4MIMO". *IEEE Photonic. Tech. L*, vol. 26, no. 9. May. 2014
 14. Yiguang Wang, Xingxing Huang, Li Tao, Jianyang Shi, and Nan Chi, "4.5-Gb/s RGB-LED based WDM visible light communication system employing CAP modulation and RLS based adaptive equalization", *Opt. Exp.*, vol. 23, no. 10, pp. 13626-13633, May. 2015
 15. Burton, Andrew, Stanislav Zvanovec, Zabih Ghassemlooy, Paul Anthony Haigh, Izzat Darwazeh, and Hoa Le Minh. "Investigation of WDM VLC Using Standard 5 mm RGB LEDs." In 2018 11th International Symposium on Communication Systems, Networks & Digital Signal Processing (CSNDSP), pp. 1-6. IEEE, 2018.
 16. Cui, Lu, Yi Tang, Huiping Jia, Jiabin Luo, and Bruce Gnade. "Analysis of the multichannel WDM-VLC communication system." *Journal of Lightwave Technology* 34, no. 24 (2016): 5627-5634.
 17. Yiguang Wang, Li Tao, Xingxing Huang, Jianyang Shi, and Nan Chi, " 8-Gb/s RGBY LED-Based WDM VLC System Employing High-Order CAP Modulation and Hybrid Post Equalizer", *IEEE Photonics J.* vol. 7, no. 6, pp. 7904507-7904520, Dec. 2015
 18. M. Zhang, M. Shi, F. Wang, J. Zhao, Y. Zhou, Z. Wang, et al., "4.05-Gb/s RGB LED-based VLC system utilizing PS-Manchester coded Nyquist PAM-8 modulation and hybrid time-frequency domain equalization," in 2017 Optical Fiber Communications Conference and Exhibition (OFC), 2017, pp. 1-3.
 19. [Optiwave Systems Inc.: <https://optiwave.com> (26 April 2018)
 20. Edward F. Zalewski, "Handbook of Optics, Third Edition Volume II: Design, Fabrication and Testing, Sources and Detectors, Radiometry and Photometry", McGraw Hill, 2010.
 21. Keiser, Gerd; "Optical Fiber Communications", 4th Ed., Tata McGraw Hill, 2008.